
General notes about replacing a «Faston» node with a «MiniFit» type.

Introduction

The intention of the following application note is to explain how to make connections to be able to replace a «Faston» node with a «Minifit» type.

Type of node

At present on Rimor vehicles of the 1998/99 season two types of nodes may be installed:

- Faston node Ver.22/98 shown in Figure 1
- Minifit node Ver.5.31 shown in Figure 2.

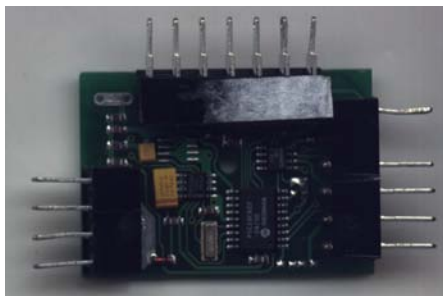


Figure 1 " Faston Node Ver. 22/98."

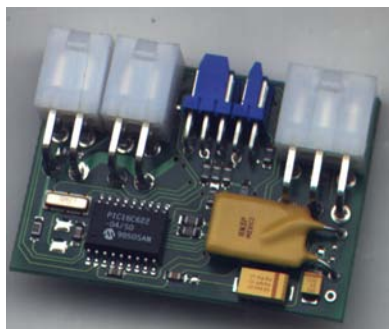


Figure 2 " MiniFit Node Ver. 5.31."

Replacement of Generic Lights Node

Whenever it is necessary to replace a light node (see application note AS 0001), we will find the connections shown in in Figure 3; correct replacement should be carried out as shown in Figure 4.

Replacement of Kitchen Lights Node N.1.01

In the particular case that the node to be replaced concerns the kitchen area (generally located in the front of the kitchen hood) we know that in relation to the diagram of Figure 3 we will also find the wire of the of the *switch* of the home cell entrance as in Figure 5 , which controls the entrance ceiling light (connected to Skylight node_1), in this case the connection diagram is the one shown in Figure 6.

To make the connection of the remote switch (enlarged in Figure 6) the wire is supplied already headed with the connector.

Replacement of Drain Node N.1.10

In the particular case that the node to be replaced is the node pertaining to the pump and tank levels are (usually located under the pipe cover of the near the drain water tank) we will find a configuration as in Figure 7 and we will have to transform it as in Figure 8.

Remember that not all models have two drain water collection tanks, in this case there is only one «overflow» cable.

Connection diagrams

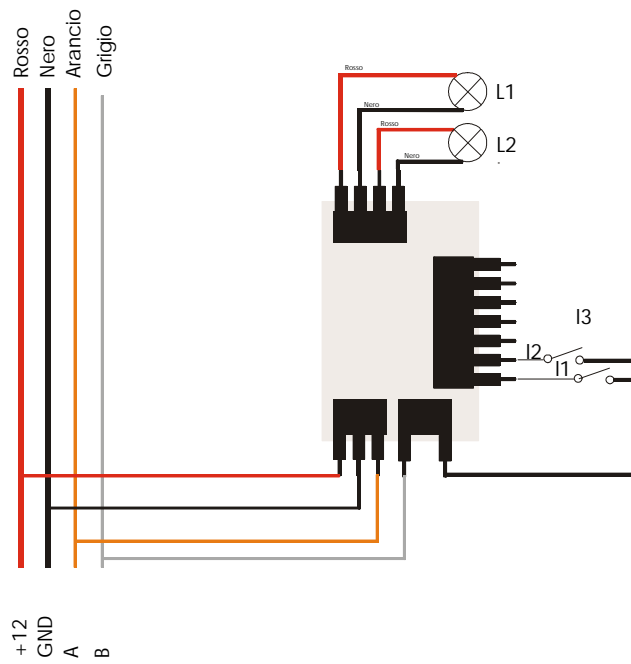


Figure 3 "Faston Light Node conn. Diagram

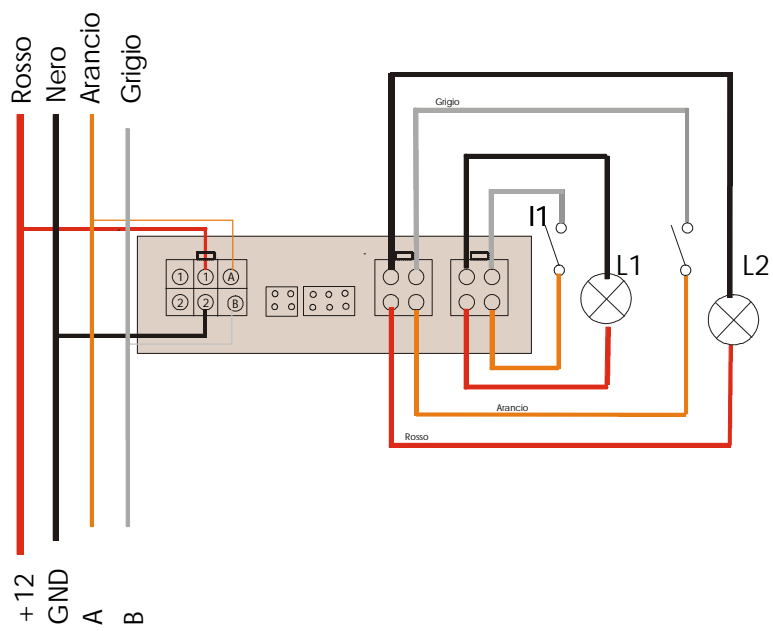


Figure 4 " MiniFit Light Node conn. diagram "

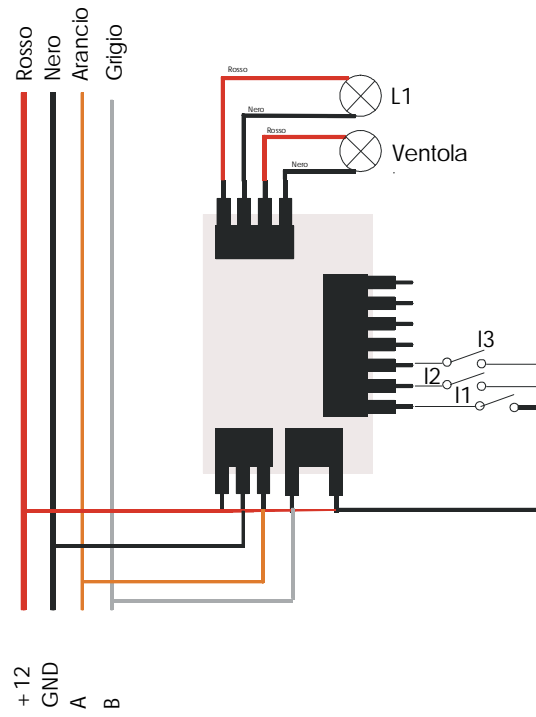


Figure 5 " Faston Kitchen Node connection diagram"

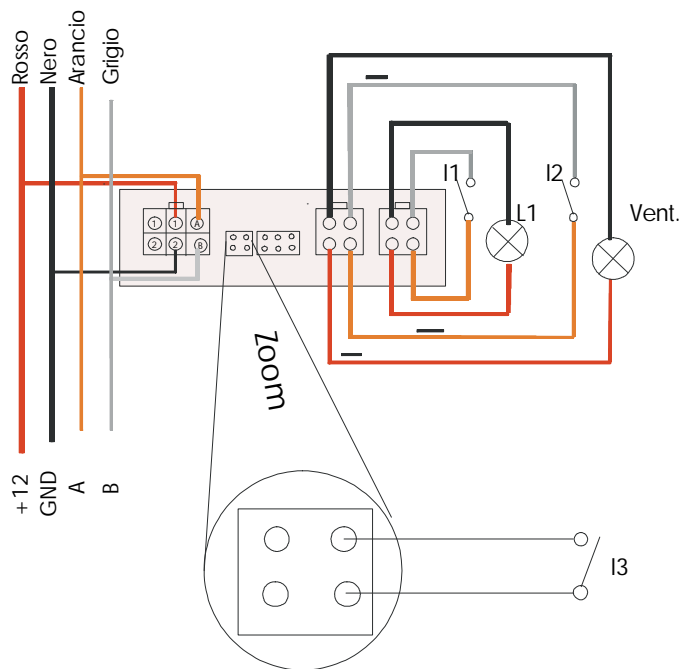


Figure 6 " Minifit Kitchen Node connection diagram"

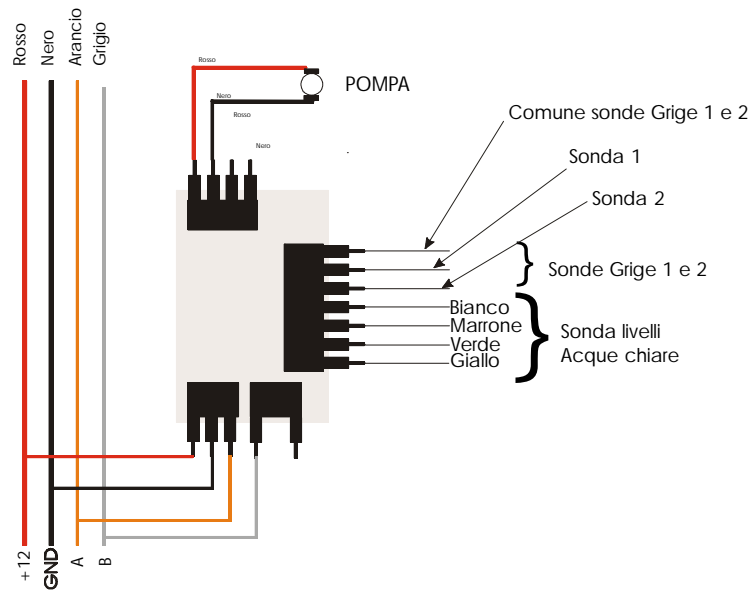


Figure 7 "Faston Drain Node connection diagram"

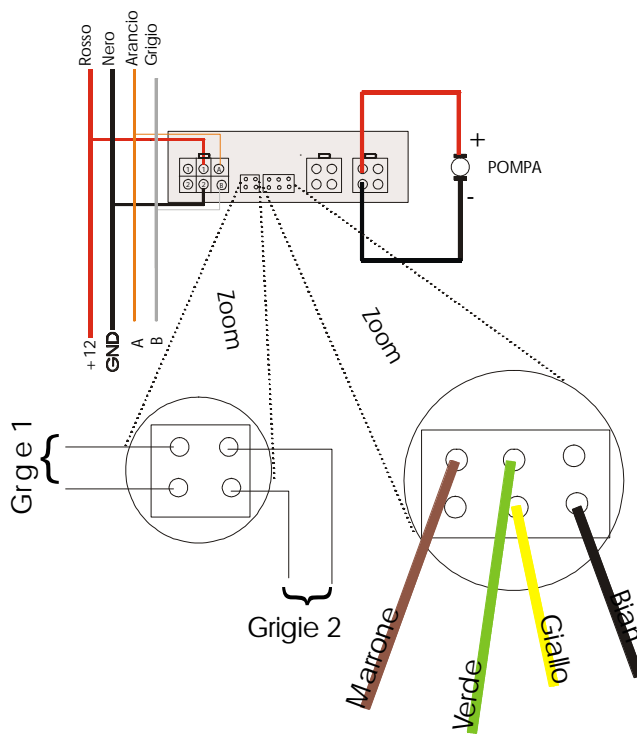


Figure 8 "Minifit Drain Node connection diagram "